



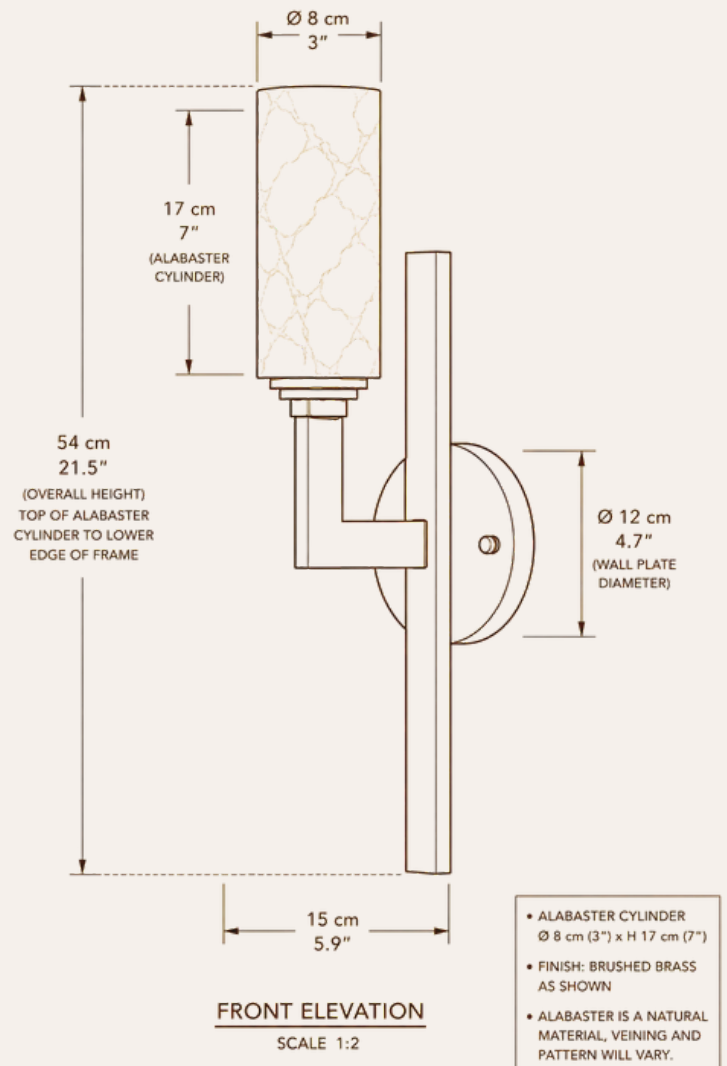
Alabaster Axis

Alabaster Axis transforms natural Spanish alabaster and solid copper into a refined architectural wall light. Its 54 cm vertical form and softly illuminated stone cylinder create balanced ambient light, bringing timeless materiality and sculptural elegance to luxury residential and hospitality interiors.



Technical Specifications

- Genuine Spanish natural alabaster cylinder
- Solid copper construction
- Overall height: 54 cm / 21.5"
- Alabaster cylinder: $\text{Ø}8 \times \text{H}17 \text{ cm} / \text{Ø}3" \times \text{H}7"$
- Projection: 15 cm / 5.9"
- Wall plate diameter: $\text{Ø}12 \text{ cm} / 4.7"$
- G9 LED light source
- Dimmable with compatible G9 bulbs
- 110–240V worldwide compatible
- Available finishes: Matt Brass & Matt Brown
- Hardwired wall installation
- Suitable for residential & hospitality interiors
- Weight: 4.5 kg / 10 lbs





ARCHITECTURAL PRODUCT SPECIFICATION



Materials, Finishes, Lighting, Certifications, Warranty & Lead Time

- Genuine Spanish alabaster & solid copper
- Matt Brass or matt brown finish
- Soft architectural ambient illumination
- G9 LED compatible
- Dimmable system compatible
- 110–240V worldwide voltage
- Hardwired wall-mounted installation
- UKCA, CE, UL, CSA, RoHS certified
- Made to order
- Custom finishes available
- Lead time: 6–8 weeks
- Warranty: 18 months

HDLS Lighting Ltd

45 Albemarle Street, Mayfair
London, W1S 4JL GB

info@homedecorlightstore.com

+44 7502 590333

www.homedecorlightstore.com



ARCHITECTURAL PRODUCT SPECIFICATION



Alabaster Axis expresses architectural lighting through authentic materials, refined proportions and timeless craftsmanship. Designed to complement luxury interiors, it delivers warm natural illumination and understated presence that endures beyond changing trends.

HDLS Lighting Ltd

45 Albemarle Street, Mayfair
London, W1S 4JL GB

info@homedecorlightstore.com
+44 7502 590333

www.homedecorlightstore.com