



Camellia Fiorita Flush

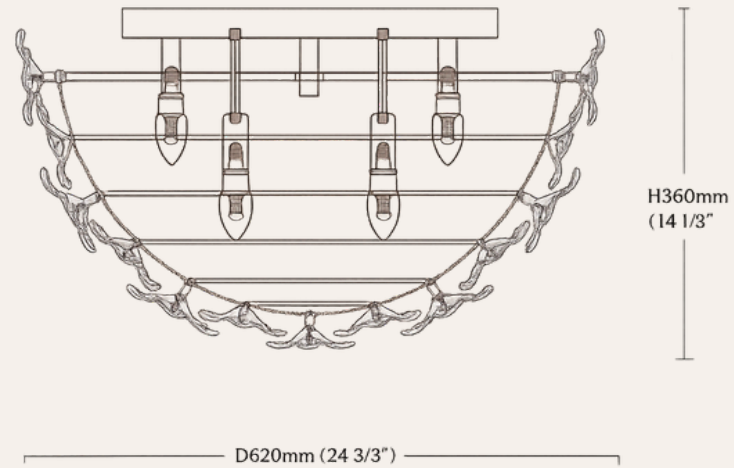
The Camellia Fiorita Flush reinterprets Murano-style floral artistry through hand-sculpted glass blossoms and a refined stainless steel framework, delivering soft architectural illumination and sculptural elegance for refined interiors with lower ceiling heights.



ARCHITECTURAL PRODUCT SPECIFICATION

SKU: HDLS#CamelliaFlush1

- Product Type: Decorative Floral Flush Mount Ceiling Light
- Dimensions: Ø62 × H36 cm
- Imperial Size: Ø24.4" × H14.1"
- Frame Material: Precision-Built Stainless Steel Framework
- Decorative Elements: Hand-Formed Murano-Style Glass Blossoms
- Light Configuration: 4-Light Arrangement
- Lamp Base: E14
- Voltage: 110–240V Compatible
- Installation Type: Flush Mounted / Hardwired
- Application: Bedrooms, Hallways, Dressing Rooms, Boutique Suites & Refined Residential Interiors



HDLS Lighting Ltd

45 Albemarle Street, Mayfair
London, W1S 4JL GB

info@homedecorlightstore.com
+44 7502 590333

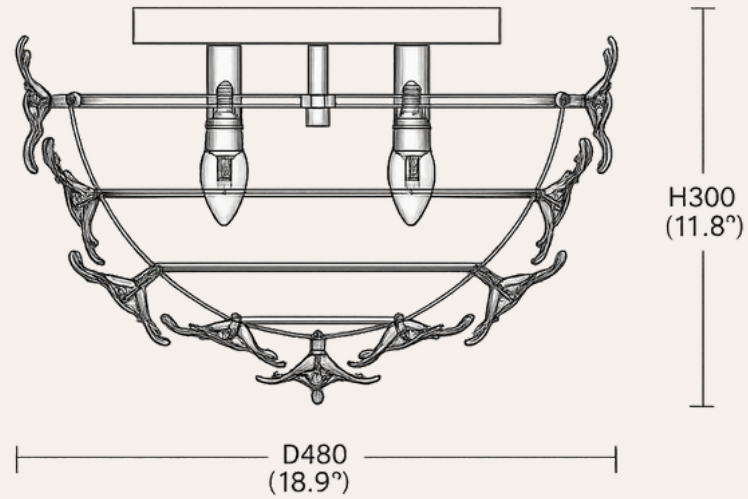
www.homedecorlightstore.com



ARCHITECTURAL PRODUCT SPECIFICATION

SKU: HDLS#CamelliaFlush2

- Product Type: Decorative Floral Flush Mount Ceiling Light
- Dimensions: Ø48 × H30 cm
- Imperial Size: Ø18.9" × H11.8"
- Frame Material: Precision-Built Stainless Steel Framework
- Decorative Elements: Hand-Formed Murano-Style Glass Blossoms
- Light Configuration: 2-Light Arrangement
- Lamp Base: E14
- Voltage: 110–240V Compatible
- Installation Type: Flush Mounted / Hardwired
- Application: Bedrooms, Hallways, Dressing Rooms, Boutique Suites & Refined Residential Interiors



HDLS Lighting Ltd

45 Albemarle Street, Mayfair
London, W1S 4JL GB

info@homedecorlightstore.com

+44 7502 590333

www.homedecorlightstore.com



ARCHITECTURAL PRODUCT SPECIFICATION



Hand-formed Murano-style glass blossoms are individually positioned across the stainless steel framework to create layered floral depth and controlled light diffusion. The close-up highlights refined translucency, sculptural detailing, and the precision of the floral composition.

CERTIFICATION & SPECIFICATION SUPPORT

- UKCA Certified
- CE Certified
- UL Certified
- CSA Certified
- 110–240V Compatible
- E14 Lamp Base
- Dimmable
- Hardwired Installation
- Flush-Mounted Ceiling Installation
- Indoor Use Only
- Professional Installation Recommended
- Crafted to Order
- Approximate Lead Time: 6–8 Weeks
- Worldwide Delivery
- Alternative Finishes Available on Request
- Suitable for Residential & Hospitality Interiors
- Specification Support Available for Designers & Procurement Teams

HDLS Lighting Ltd

45 Albemarle Street, Mayfair
London, W1S 4JL GB

info@homedecorlightstore.com
+44 7502 590333

www.homedecorlightstore.com



ARCHITECTURAL PRODUCT SPECIFICATION



Installed within refined residential and hospitality interiors, the Camellia Fiorita Flush delivers soft ambient illumination while maintaining a compact architectural profile for lower ceilings. Its sculptural floral silhouette introduces warmth, decorative balance, and material softness to luxury bathrooms, suites, dressing areas, and boutique environments.

HDLS Lighting Ltd

45 Albemarle Street, Mayfair
London, W1S 4JL GB

info@homedecorlightstore.com
+44 7502 590333

www.homedecorlightstore.com