



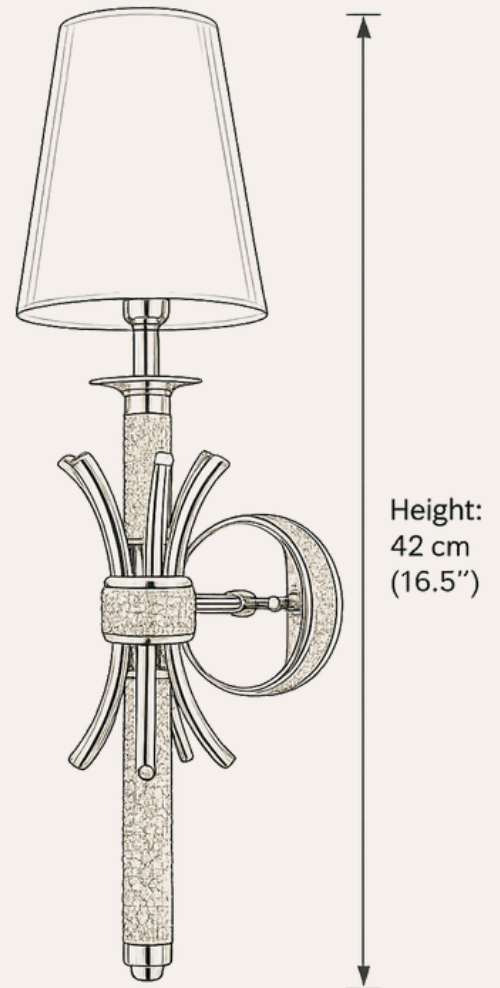
## Maria Sconce Élan

Maria Sconce Élan interprets the Maria Collection in a sculptural wall-mounted form, defined by crystalline texture, polished gold detailing, and softly diffused illumination designed for refined residential and boutique hospitality interiors.



### Maria Collection by HDLS Lighting Ltd

- SKU: HDLS#MariaSconce1
- Gold & crystal wall sconce
- Height: 42 cm (16.5")
- Reinforced gold-plated wall bracket
- Solid copper construction
- 18K polished gold finish
- Precision-cut Asfour Egyptian crystal
- Hand-finished ivory fabric shade
- E14 LED-compatible light source
- 110–240V compatible / dimmable
- Hardwired wall-mounted installation
- Approx. weight: 3 kg (7 lbs)





## ARCHITECTURAL PRODUCT SPECIFICATION

---



- CERTIFICATIONS
- CE
- UKCA
- UL
- CSA
- ELECTRICAL & INSTALLATION
- 110–240V compatible
- Hardwired wall-mounted configuration
- Dimmable with a compatible dimmer
- Professional installation recommended
- MANUFACTURING & PROJECT SUPPORT
- Crafted to order
- 4–6 week lead time
- Worldwide delivery available
- Export-grade protective packaging
- Individually inspected and tested
- Installation hardware included
- Specification support available
- 18-month warranty included

---

### HDLS Lighting Ltd

45 Albemarle Street, Mayfair  
London, W1S 4JL GB

[info@homedecorlightstore.com](mailto:info@homedecorlightstore.com)

+44 7502 590333

[www.homedecorlightstore.com](http://www.homedecorlightstore.com)



## ARCHITECTURAL PRODUCT SPECIFICATION

---



Designed for layered ambient illumination and intimate architectural settings, the Maria Sconce Élan introduces warmth, crystalline texture, and sculptural presence across corridors, dressing spaces, hospitality suites, bathrooms, and refined residential interiors.

---

### HDLS Lighting Ltd

45 Albemarle Street, Mayfair  
London, W1S 4JL GB

[info@homedecorlightstore.com](mailto:info@homedecorlightstore.com)  
+44 7502 590333

[www.homedecorlightstore.com](http://www.homedecorlightstore.com)