



Solaris Lyra Table Lamp

Solaris Lyra is a jewel-scale architectural table lamp designed to introduce refined brilliance, material depth, and sculptural presence into luxury interiors. Crafted from precision-cut A+ grade lead-free crystal and polished 18K gold-plated copper, it transforms ambient illumination into an architectural feature defined by proportion, craftsmanship, and permanence.

HDLS Lighting Ltd

45 Albemarle Street, Mayfair
London, W1S 4JL GB

info@homedecorlightstore.com
+44 7502 590333

www.homedecorlightstore.com

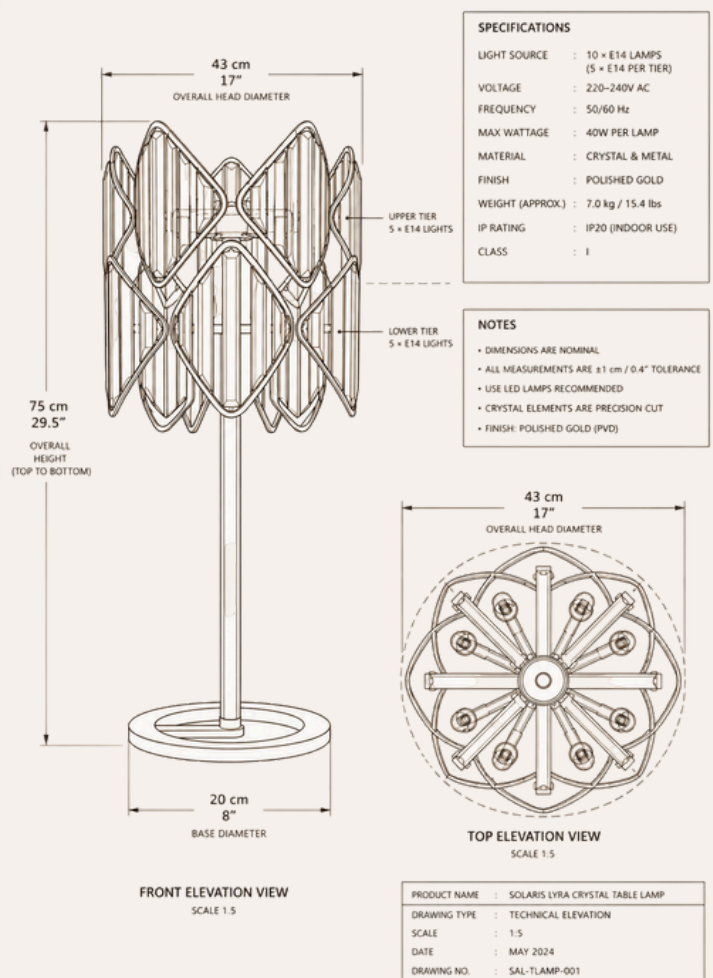


ARCHITECTURAL PRODUCT SPECIFICATION

SKU: HDLS#SolarisLyra

Technical Specification

- Overall height: 75 cm (29.5")
- Crystal body diameter: 43 cm (17")
- Base diameter: 20 cm (8")
- Approximate weight: 9 kg (20 lbs)
- Premium solid copper construction
- Polished 18K gold-plated finish
- A+ grade lead-free crystal
- Precision-cut crystal prisms
- 10 × E14 LED light sources
- Dimmable with compatible dimming systems
- Universal voltage: 90–260V
- Suitable for 110V and 220V installations



HDLS Lighting Ltd

45 Albemarle Street, Mayfair
London, W1S 4JL GB

info@homedecorlightstore.com

+44 7502 590333

www.homedecorlightstore.com



Certifications

- UKCA Certified
- CE Certified
- UL Certified
- CSA Certified
- RoHS Compliant

Product Features

- Architectural Crystal Table Lamp
- Solaris Collection Design Language
- Solid Copper Construction
- Polished 18K Gold-Plated Finish
- A+ Grade Lead-Free Crystal
- Precision-Cut Prism Geometry
- 10 × E14 LED Light Sources
- Dimmable Lighting Capability
- Universal 90–260V Compatibility
- Hand-Assembled Construction
- Sculptural Architectural Form
- 18-Month Warranty



Materials & Construction

Solaris Lyra is crafted from solid copper and finished in polished 18K gold plating, creating a refined framework that supports its carefully engineered crystal composition. The structure is designed to provide long-term durability while preserving the elegant proportions expected within luxury interiors.

The lamp incorporates A+ grade lead-free crystal elements, individually precision-cut and aligned to maximise clarity, refraction, and controlled brilliance. When illuminated, the layered prism arrangement creates subtle reflections and visual depth that enrich surrounding materials including marble, lacquered cabinetry, natural stone, bronze detailing, and fine upholstery.

Inspired by celestial symmetry and radiant light refraction, Solaris Lyra functions as both illumination and architectural ornament, bringing balance, rhythm, and material sophistication to intimate luxury settings.

HDLS Lighting Ltd

45 Albemarle Street, Mayfair
London, W1S 4JL GB

info@homedecorlightstore.com

+44 7502 590333

www.homedecorlightstore.com



ARCHITECTURAL PRODUCT SPECIFICATION



Solaris Lyra combines sculptural crystal geometry, noble materials, and controlled illumination within a refined architectural composition. Designed for interiors where detail and proportion shape the atmosphere, it delivers a sophisticated layer of ambient light while contributing permanence, material richness, and visual harmony to luxury residential and hospitality spaces.

HDLS Lighting Ltd

45 Albemarle Street, Mayfair
London, W1S 4JL GB

info@homedecorlightstore.com
+44 7502 590333

www.homedecorlightstore.com